

PRODUCT INFORMATION PACKET

Model No: 5KCR46MN0093

Catalog No: E265

1/2 HP General Purpose Motor, 1 phase, 1800 RPM, 100-120/200-240 V, 56C Frame, TEFC
Single Phase TEFC Motors





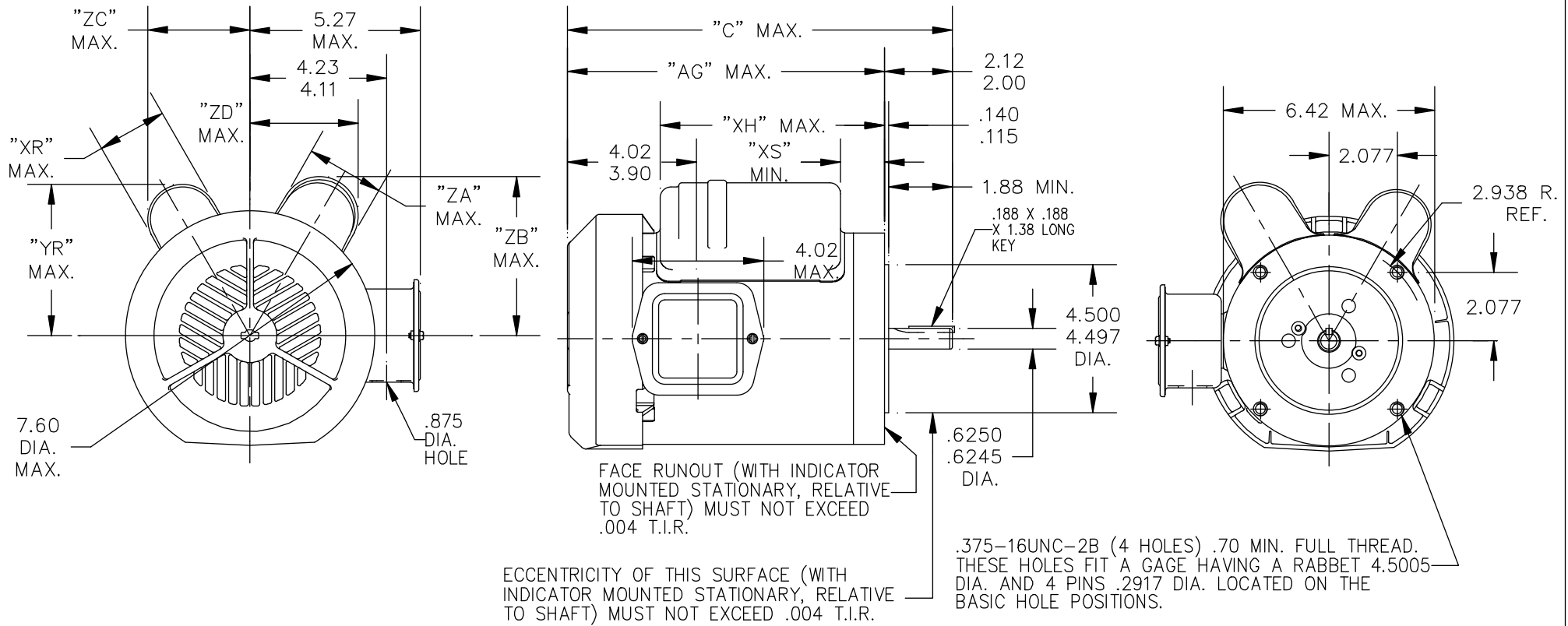
Nameplate Specifications

Output HP	0.50 Hp	Output KW	0.37 kW
Frequency	60 Hz	Voltage	100-120/200-240 V
Current	5.8-5.6,2.9-2.8 A	Speed	1725/1425 rpm
Service Factor	1.25	Phase	1
Efficiency	74 %	Power Factor	83
Duty	Continuous	Insulation Class	B
KVA Code	N	Frame	56C
Enclosure	Totally Enclosed Fan Cooled	Thermal Protection	N/R
Ambient Temperature	40 °C	Drive End Bearing Size	6203
Opp Drive End Bearing Size	6203	UL	Recognized
CSA	Yes	CE	N

Technical Specifications

Electrical Type	Capacitor Start Capacitor Run	Starting Method	SM
Poles	4	Rotation	Counterclockwise/Clockwise
Mounting	Round	Motor Orientation	ANY
Drive End Bearing	BALL	Opp Drive End Bearing	Ball
Frame Material	Rolled Steel	Overall Length	11.84 in
Frame Length	6.55 in	Shaft Diameter	0.630 in
Shaft Extension	1.88 in		
Connection Drawing	52A105381BC	Outline Drawing	52A107781P1

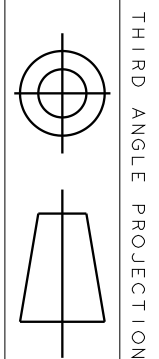
This is an uncontrolled document once printed or downloaded and is subject to change without notice. Date Created:03/11/2020



ALL DIMENSIONS ARE IN INCHES

				"C"	"AG"	"XH"	"YR"	"XR"	"XS"	"ZA"	"ZB"	"ZC"	"ZD"	MIN. SHELL
6	KCR	48	56C	13.69	11.57	7.56	4.68	2.15	1.89	2.15	4.68	3.20	3.20	8.43
5	KCR	48	56C	13.69	11.57	7.56	4.66	2.10	1.89	2.72	5.28	3.14	3.63	8.43
4	KCR	49	56C	14.28	12.16	7.51	4.90	2.40	1.84	2.72	5.27	3.38	3.66	8.99
3	KCR	49	56C	12.97	10.85	7.61	4.68	2.15	1.86	2.72	5.27	3.20	3.66	7.68
2	KCR	49	56C	12.44	10.32	7.54	4.68	2.15	1.79	2.40	4.90	3.20	3.38	7.15
1	KCR	46	56C	11.84	9.72	6.94	4.68	2.15	1.19	2.40	4.90	3.20	3.38	6.55
P	TYPE	RBC SIZE	NEMA FR.	"C"	"AG"	"XH"	"YR"	"XR"	"XS"	"ZA"	"ZB"	"ZC"	"ZD"	MIN. SHELL

				TOLERANCES UNLESS SPECIFIED		REGAL-BELOIT CORPORATION				DRAWN M.D.P 03/02/92					
				DEC.	INCHES					CHK					
				.X	±0.1	TITLE				APPD M.D.P 10/22/99					
				.XX	±0.02					OUTLINE				SCALE 1=1	
8	REDRAWN IN DRAFT SIGHT NO CHANGES	UD	10/18/12	PKG	.XXX	±0.005	TEFC-R2 END MAINTED				REF				
7	CHG TO RBC FORMAT PER ISO5-1777	SD	03/03/06		.XXXX	±0.0005					MAT'L.				FMF
NO.	REVISION	BY & DATE		CHK	ANG	±1.0	FINISH				PREV				
THIS DRAWING IN DESIGN AND DETAIL IS OUR PROPERTY AND MUST NOT BE USED EXCEPT IN CONNECTION WITH OUR WORK ALL RIGHTS OF DESIGN AND INVENTION ARE RESERVED THIS IS AN ELECTRONICALLY GENERATED DOCUMENT - DO NOT SCALE THIS PRINT				RFP	CAD FILE			52A107781			SIZE	DRAWING NO.			REV.
				DIST							A	52A107781			8



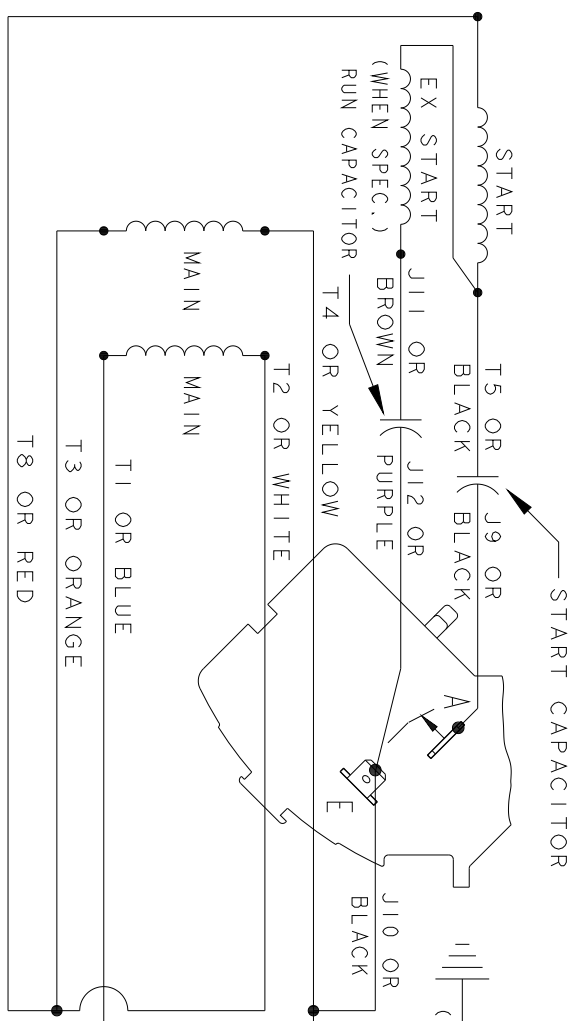
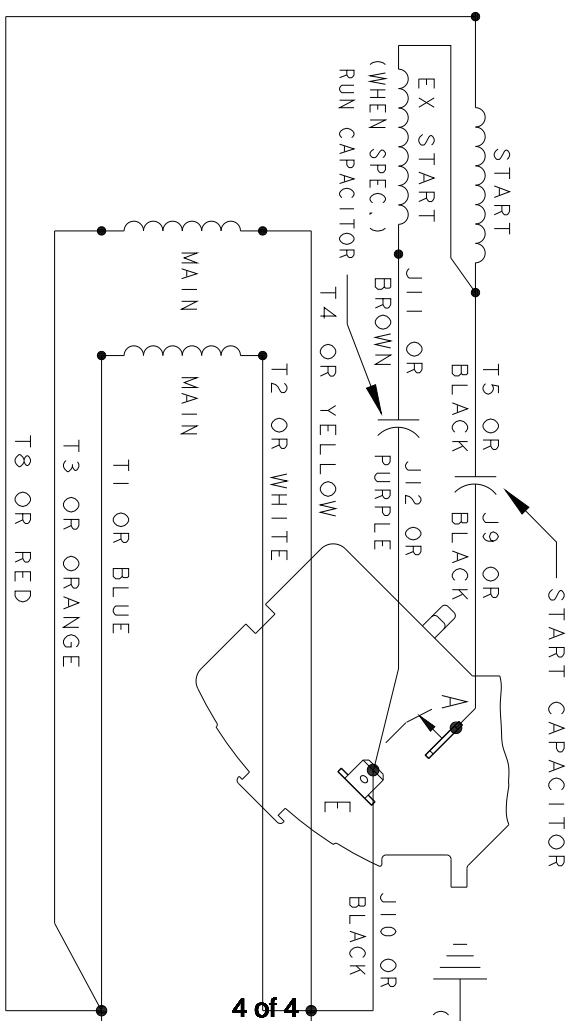
THIRD ANGLE PROJECTION

REVISIONS

REV.	DESCRIPTION
3	UPDATED FORMAT

CCW/CW ROTATION - DUAL VOL
TYPE KCR

SIZE	DRAWING NO.
	52A105381BC
	REV 3
	SHEET 1



NOTE#1 - TO REVERSE ROTATION, INTERCHANGE T8 RED AN
NOTE#2 - WHEN MORE THAN ONE CAPACITOR IS USED, CONN

SWITCH (H) - 11

REF. DIAG. - 119A93Z4

CONNECTION LABEL

SIGNATURES		DATE	
MODEL	M.D. PAPER	05/09/90	
DETAIL			
CHECKED			
ENGRG			
MFG			
FOR ADDITIONAL INFO REFER TO:			
APPLIED PRACTICES			
DIMENSIONS ARE IN INCHES			
MATERIAL			
TITLE		CONNECTION	
SIZE DRAWING		FMM: SK	
SCALE: 1.000		REF. No: .	



REGAL BELT